

# Model Sizing Form for the SANDEX Indexing Drive

SANKYO SEISAKUSHO CO.

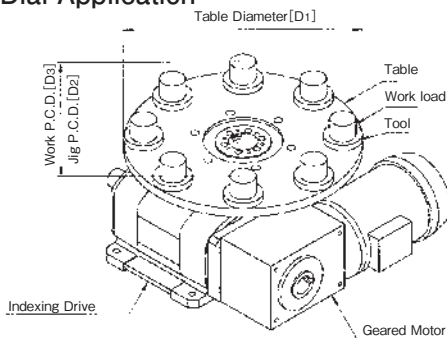
FAX seat

## Model Sizing Form for the SANDEX series

Customer's Company, Department			
Address			
Name			
TEL		FAX	
E-mail			

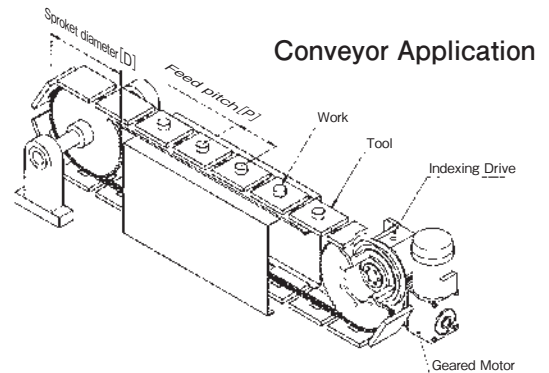
● Number of stops ..... S   
 ● Dwell time .....  $t_1$   sec  
 ● Index time .....  $t_2$   sec

### Index Dial Application



● Table diameter .....  $D_1$   mm  
 ● Table weight .....  $M_1$   kg  
 ● Jig P.C.D. ....  $D_2$   mm  
 ● Weight per tool .....  $M_2$   kg  
 ● Number of tool .....  $n_2$    
 ● Work P.C.D. ....  $D_3$   mm  
 ● Weight per work .....  $M_3$   kg  
 ● Number of work .....  $n_3$

● Feed pitch ..... P  mm  
 ● Weight of chain with attachment .....  $M_1$   kg  
 ● Weight of tool .....  $M_2$   kg  
 ● Weight of work .....  $M_3$   kg  
 ● Sprocket diameter ..... D  mm  
 ● Weight per sprocket .....  $M_4$   kg  
 ● Number of sprocket .....  $n_4$    
 ● Coefficient of friction .....  $\mu$



### Conveyor Application

Geared Motor	Yes · No	
Torque Limiter	Yes · No	Timing Cam-Photo Switch Yes ( set ) · No

Memo