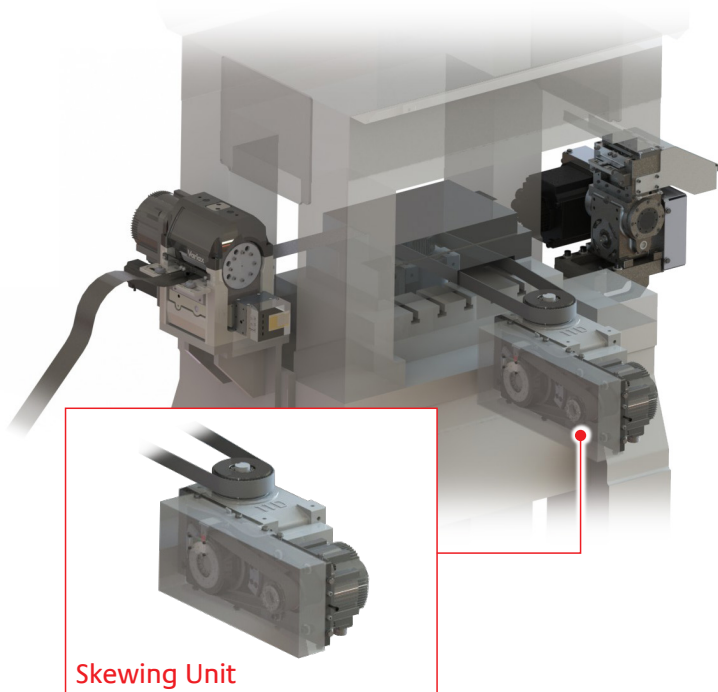
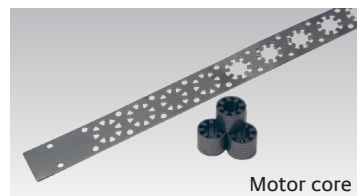


# High-speed Skewing Unit for Motor Core Lamination



## Overview

This rotary indexer skews motor core laminations at high-speeds and with fine precision.



## Features

### High Speed, Fine Precision

Offers a maximum operating speed of 1500 min<sup>-1</sup>. Cam-curve drive reduces residual vibration while offering precision positioning.

### Lineup

Choose from various configurations to best suit the target workpiece and processing conditions.

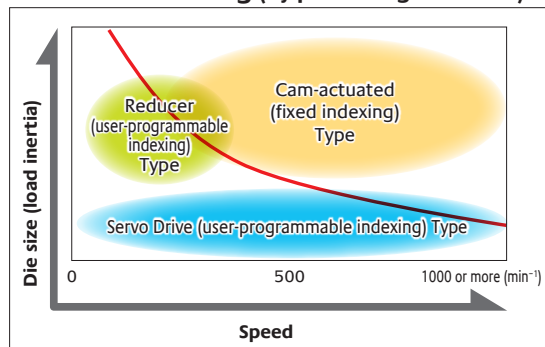
### Easy to Install

Single integrated unit easily installs on the press without drive shafts and belts or spline shafts. Operates on a start signal from the press.

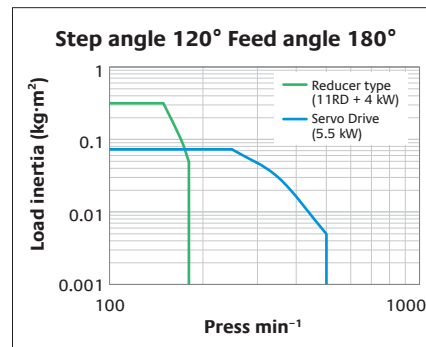
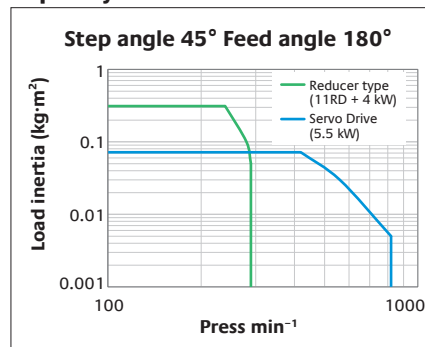
## Product Lineup

	Cam-actuated Type	Gear Reducer Type	Servo Drive
Indexing angle	Fixed (made to order)	User-defined	User-defined
Allowable load (kg·m <sup>2</sup> )	Heavy to about 1.5 kg·m <sup>2</sup>	Medium to about 0.3 kg·m <sup>2</sup>	Light to about 0.1 kg·m <sup>2</sup>
Speed (min <sup>-1</sup> )	Fast (up to 1,500 min <sup>-1</sup> )	Medium (up to 300 min <sup>-1</sup> )	Fast (up to 1,000 min <sup>-1</sup> )
Indexing accuracy (arc.sec)	±30 arc.sec	±30 arc.sec	±30 arc.sec
Motion control	Cam curve	Cam curve	Cam curve

## Product Positioning (by processing condition)



## Capacity Chart



■Headquarters (International Sales Division)  
3-37-3 Tabatashinmachi Kita-ku Tokyo Japan 114-8538  
Phone: +81-(0)3-3800-3305 Fax: +81-(0)3-3800-3378  
Email: overseas@sankyo-seisakusho.co.jp

■Sankyo Korea Co., Ltd.  
Phone: +82-(0)31-895-5991 Email: kr-sales@rollerdrive.com

■Sankyo Seisakusho Co. Taiwan Branch  
Phone: +886-(0)4-2359-4048 Email: tw-sales@rollerdrive.com

■Sankyo Works (Thailand) Co., Ltd.  
Phone: +66-(0)2-516-5355 Email: sales@sankyo-works.co.th

■Sankyo America Inc.  
Phone: +1-(0)937-498-4901  
Email: sales@sankyoautomation.com

■Sankyo China Trading Co., Ltd.  
Phone: +86-(0)21-5445-2813  
Email: sales@sankyochina-trading.com